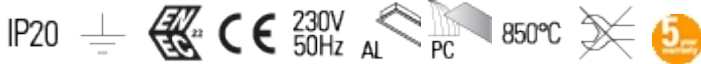
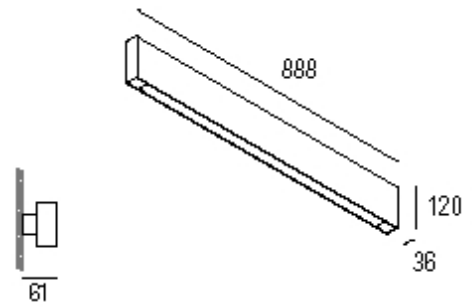
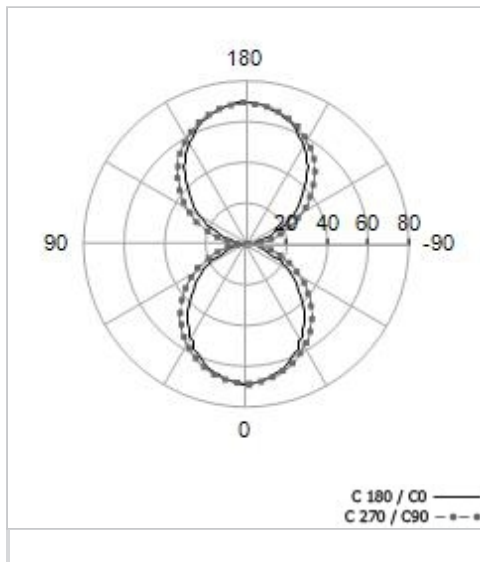


Code: 13.4614.1299.1



Photometric Data



| Lamp | |
|--------------------------|--------------------|
| Light output ratio | |
| LOR | 36,8% |
| ULOR | 18,4% |
| DLOR | 18,4% |
| Total luminous flux | |
| Luminaire efficacy (LEF) | 2355 lm 30 lm/W |
| UGR values | |
| X=4H, Y=8H | S=0,25H |
| Radiant class | 70/50/20 |
| UGR - transverse | 21 |
| UGR - longitudinal | 21,7 |
| Classification | |
| BZ | BZ 4 |
| UTE | 0.18 J + 0.18 T |
| DIN | C31 |
| CIE | 49, 81, 96, 50, 37 |

Description

Wall mounted architectural linear luminaire
 Extruded aluminium profile body, anodised or white colour finish
 Polycarbonate end caps, screwless fixing, anodised or white colour finish
 Diffuser made from polycarbonate, opal blend finish
 Control gear: integrated electronic (EB) or dimmable electronic ballast (DEB-DSI/DALI/1-10V);
 on request also intelligent electronic ballast (EBi)
 Tool free easy maintenance

Kalis WDI GL 2x39W T16 G5 EB

Code: 13.4614.1299.1

Options

| | | |
|----------------|--|--------|
| 13.4614.1299.1 | Kalis WDI GL 2x39W T16 G5 EB white | 2,3 kg |
| 13.4615.1299.1 | Kalis WDI GL 2x39W T16 G5 DEB-DSI white | 2,3 kg |
| 13.4611.1299.1 | Kalis WDI GL 2x39W T16 G5 DEB-DALI white | 2,3 kg |
| 13.4613.1299.1 | Kalis WDI GL 2x39W T16 G5 DEB 1-10V white | 2,3 kg |
| 13.4614.1299.6 | Kalis WDI GL 2x39W T16 G5 EB anodised | 2,3 kg |
| 13.4615.1299.6 | Kalis WDI GL 2x39W T16 G5 DEB-DSI anodised | 2,3 kg |
| 13.4611.1299.6 | Kalis WDI GL 2x39W T16 G5 DEB-DALI anodised | 2,3 kg |
| 13.4613.1299.6 | Kalis WDI GL 2x39W T16 G5 DEB 1-10V anodised | 2,3 kg |